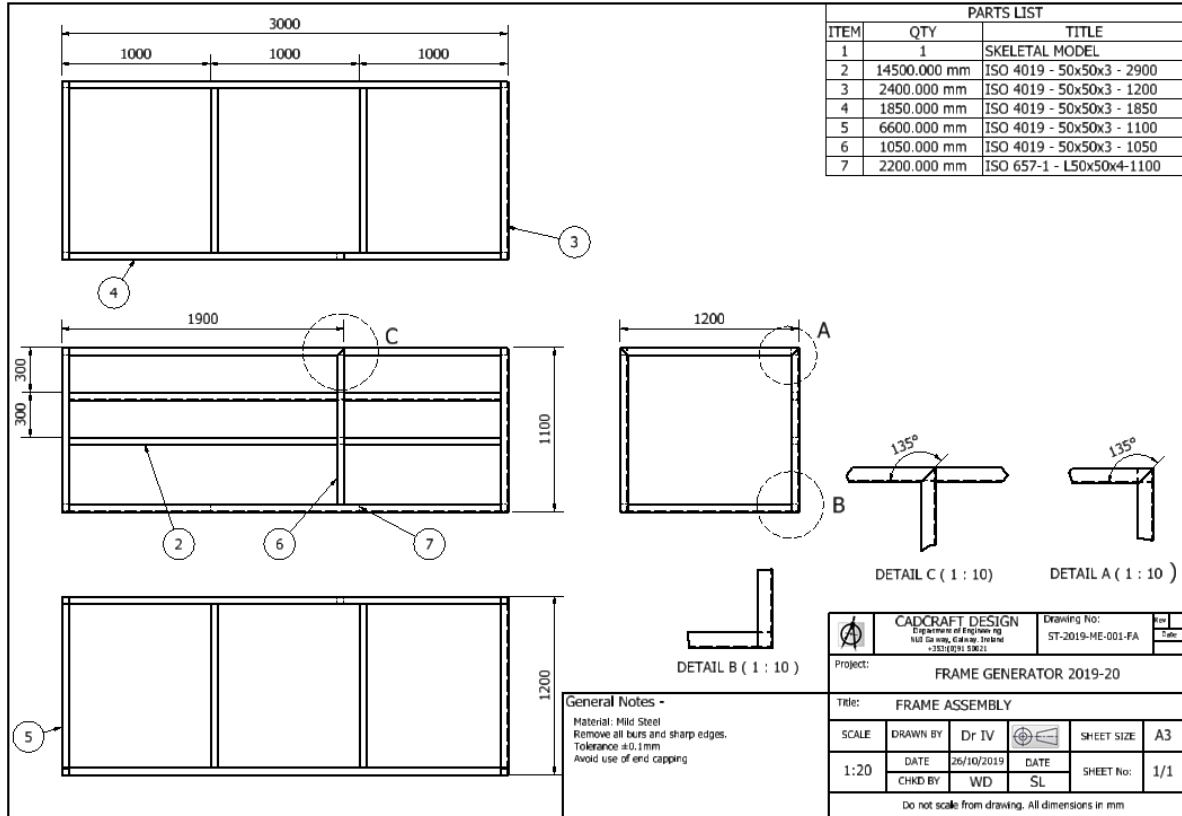


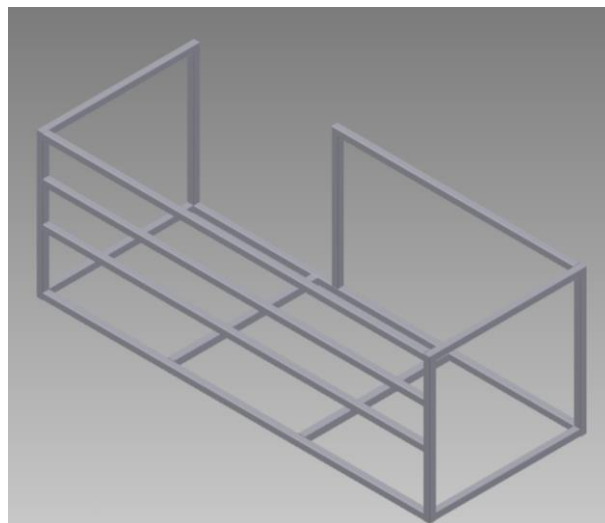


## Tutorial 5



Model the frame as shown in the drawing above.

Refer to the Frame Tutorial dwfx file on the Q DRIVE for end treatments



Save the model as a Tutorial 5.iam for use in assignments

Save as Tutorial 5.dwfx for handing in.